

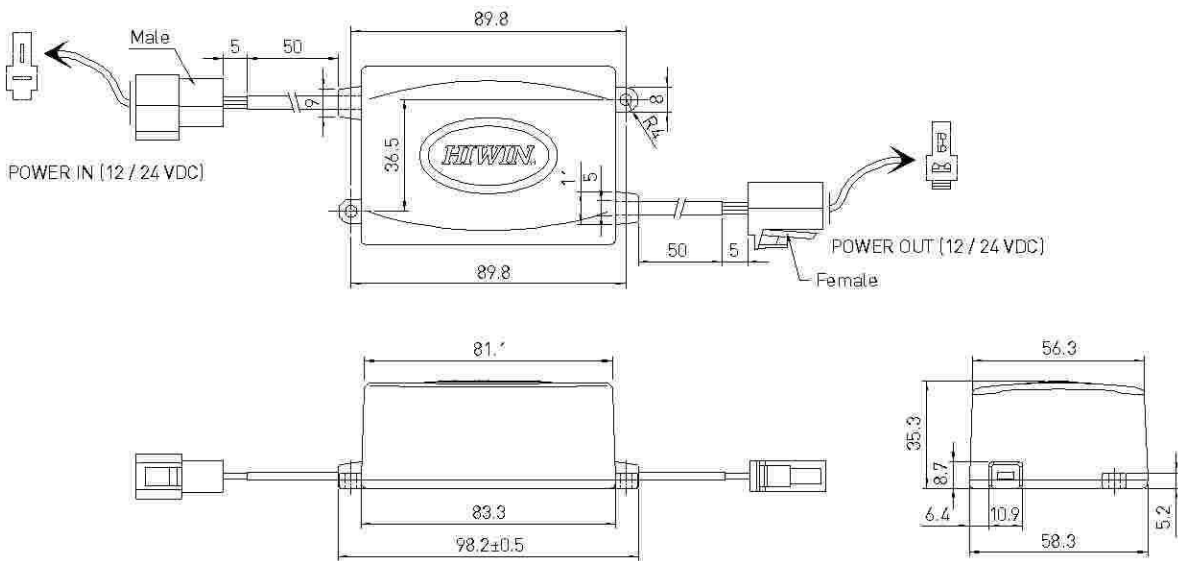
12. **HIWIN Over Current Protection Box**

LAKC-1



Input voltage	12 / 24 VDC
Output power	12 / 24 VDC
Duty cycle	10%
Working temp	+5°C ~40°C
Protection*	IP 54

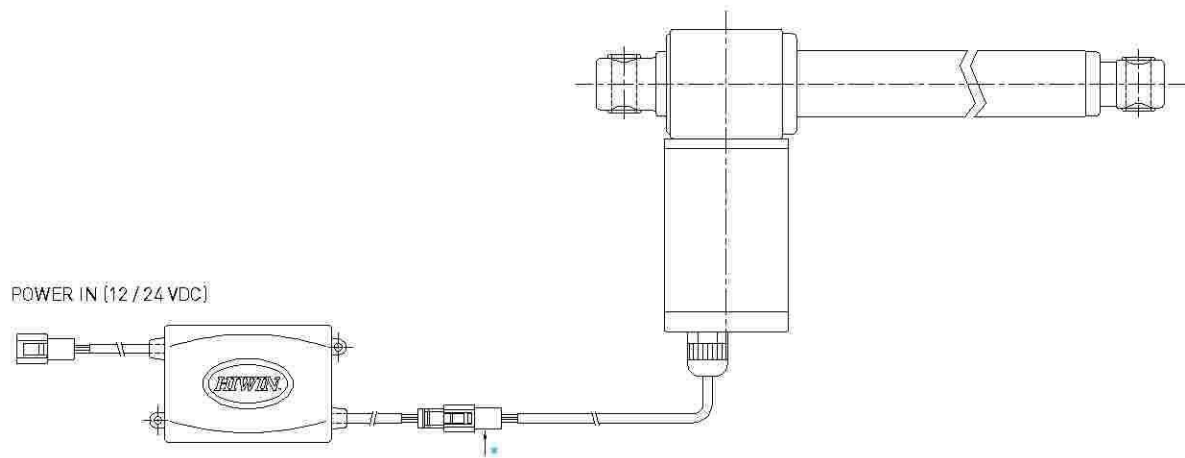
* Option: IP66



● Features of LAKC-1

- Compact size
- Low cost
- Easy to use
- Multiple over-current settings available
- Fast response time

● For Series LAS, LAS4, LAM, LAN1 and LAN4



* Please mention the connector to LAKC is necessary when you place an actuator order.

● Ordering Information

LAKC - 1 - 12 - 6 G E

Special models according to Client's requirement	None E=Ignore this part of the serial number if not available
Color	B : Black G : Gray
Over Current Setting	2 : 2A 8 : 8A 3 : 3A 10 : 10A 4 : 4A 12 : 12A 5 : 5A 18 : 18A 6 : 6A
Input(Output)Voltage	12 : 12VDC 24 : 24VDC
Model number	