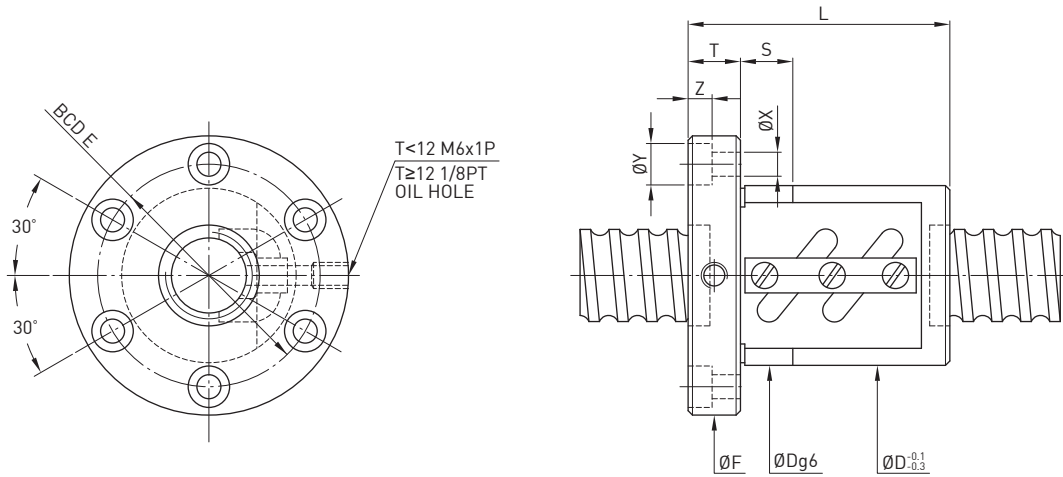


## 7.4 Dimensions for Rolled Ballscrews

### F S W TYPE



Model	Size		Ball Dia.	Circuits	Dynamic Load 1x10 <sup>3</sup> revs C ( kgf )	Static Load Co ( kgf )	Nut		Flange							Fit
	Nominal Dia.	Lead					L	D	F	BCD-E	T	Bolt				
												X	Y	Z	S	
8-2.5B1	8	2.5	2.000	2.5x1	218	317	34	26	47	35	8	5.5	9.5	5.5	8	
10-2.5B1	10			2.5x1	252	405	34	28	52	38	8	5.5	9.5	5.5	8	
10-4B1	10	4	2.381	2.5x1	304	466	41	30	53	41	10	5.5	9.5	5.5	10	
12-4B1	12			2.5x1	344	574	41	30	50	40	10	5.5	9.5	5.5	12	
16-5B1	16	5	3.175	2.5x1	679	1226	43	40	64	51	10	5.5	9.5	5.5	12	
20-5C1	20			3.5x1	1001	2149	50	44	68	55	12	5.5	9.5	5.5	12	
25-5B2	25	10	4.763	2.5x2	1534	3975	60	50	74	62	12	5.5	9.5	5.5	12	
25-10B1	25			2.5x1	1459	2983	65	60	86	73	16	6.6	11	6.5	12	
32-5B2	32	5	3.175	2.5x2	1702	5098	60	58	84	71	12	6.6	11	6.5	12	
32-10B2	32			2.5x2	4379	10345	98	74	108	90	16	9	14	8.5	15	
40-10B2	40	10	6.350	2.5x2	4812	12732	102	84	125	104	18	11	17.5	11	15	
50-10C2	50			3.5x2	7146	22477	126	94	135	114	18	11	17.5	11	20	
63-10C2	63			3.5x2	7869	28290	128	110	152	130	20	11	17.5	11	20	