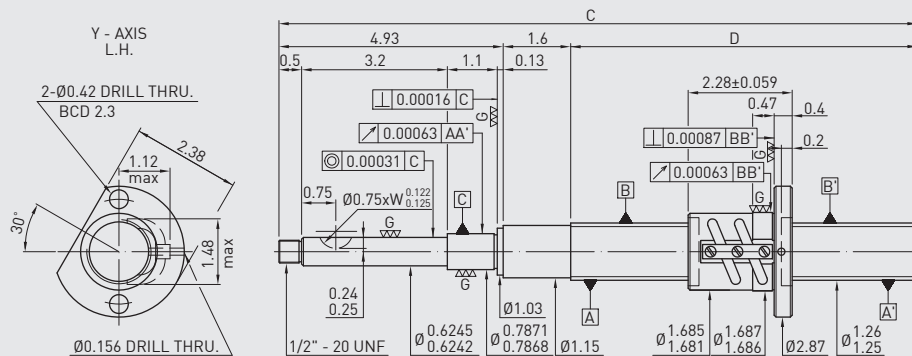
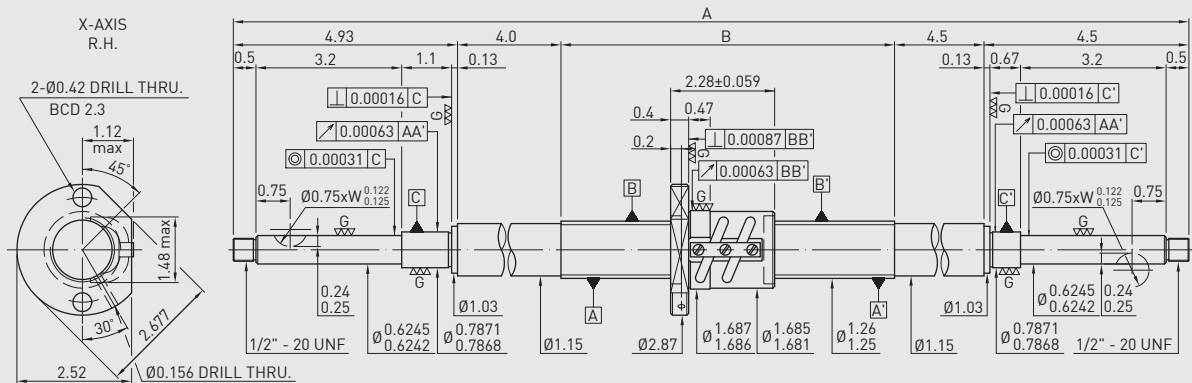


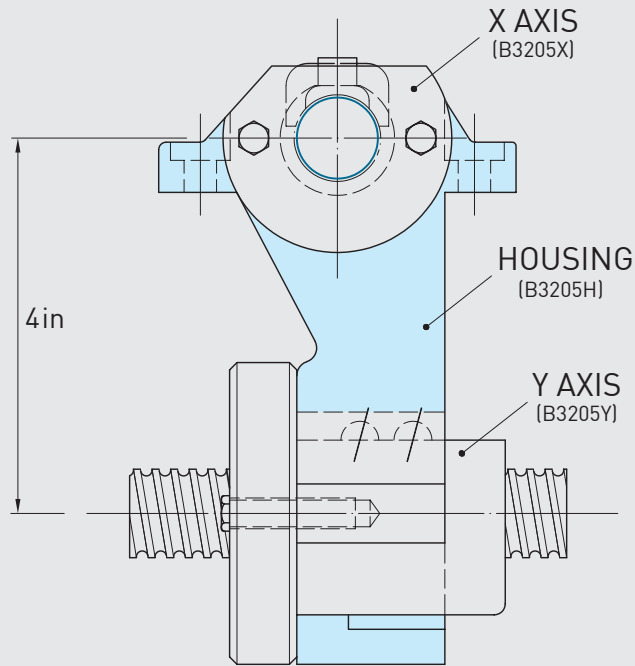
8 Ballscrew Retrofit Kits for Manual Milling Machine

8.1 Precision Ground Ballscrew Set

1. Precision ground, lead accuracy within $\pm 0.0005''$ /ft.
2. Stock size meet various CNC systems' requirements.
3. High strength and long service life.



unit: inch



Traverse Screw (X Axis) in			
Traverse Screw	A	B	Part Number
32	42	24.07	B3205X-32
36	46	28.07	B3205X-36
42	52	34.07	B3205X-42
48	58	40.07	B3205X-48

Crossfeed Screw (Y Axis) in.			
Table Size	C	D	Part Number
9	20.3	13.77	B3205Y-9
12	23.3	16.77	B3205Y-12
16	27.3	20.77	B3205Y-16

P.C.Dia.	1.28"
Ball Dia.	0.125"
Lead Angle	2.84°
Circuits	2.5x2
Lead	5TPI
Static Load	12491 lbf
Dynamic Load(1x10 ⁶ revs)	4158 lbf
Lead Accuracy	0.0003"/2π; 0.0005"/ft
Drag Torque(Preload)	3.5in-lb (280lbs)