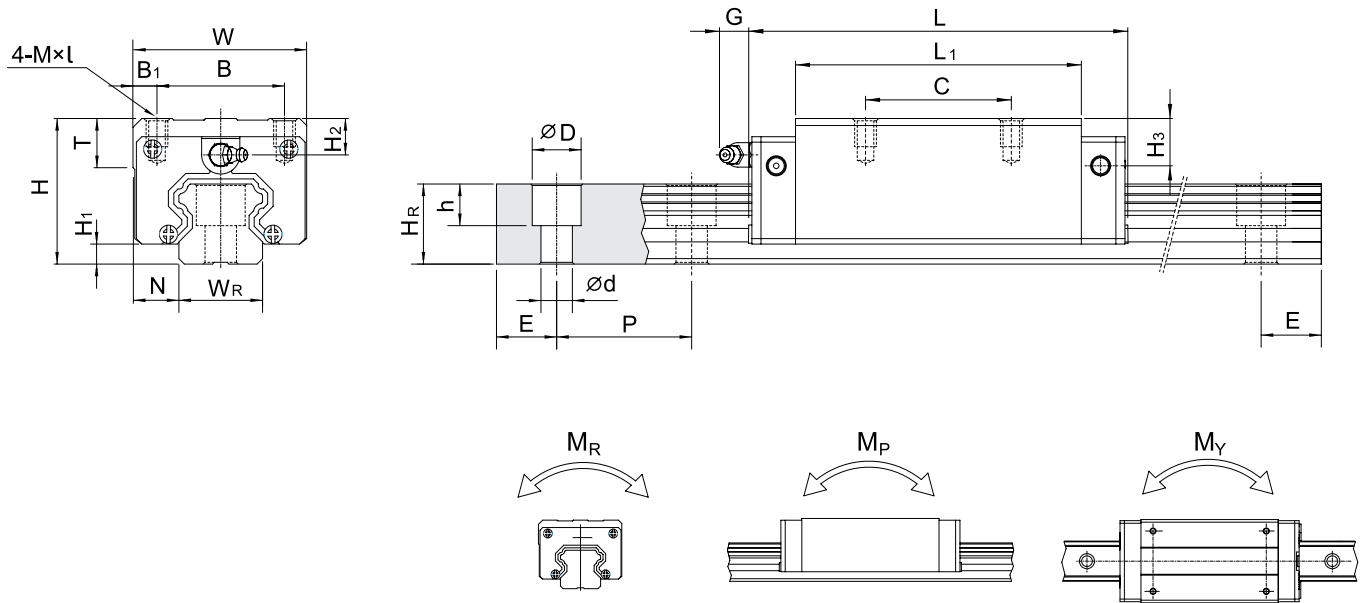


2-1-12 Dimensions for HIWIN HG Series

(1) HGH-CA / HGH-HA



| Model No. | Dimensions of Assembly (mm) | | Dimensions of Block (mm) | | | | | | | | | | Dimensions of Rail (mm) | | | | | Mounting Bolt for Rail (mm) | Basic Dynamic Load Rating C(kN) | Basic Static Load Rating C ₀ (kN) | Static Rated Moment | | | Weight | | | | | |
|-----------|-----------------------------|----------------|--------------------------|-----|----|----------------|----|----------------|-------|------|--------|------|-------------------------|----------------|----------------|----------------|-----|-----------------------------|---------------------------------|--|---------------------|--------|--------|--------|----------------|----------------|----------------|-------|-------|
| | H | H ₁ | N | W | B | B ₁ | C | L ₁ | L | G | Mxl | T | H ₂ | H ₃ | W _R | H _R | D | | | | h | d | P | E | M _R | M _P | M _Y | Block | Rail |
| | kgf | mm | mm | mm | mm | mm | mm | mm | mm | mm | mm | mm | mm | mm | mm | mm | mm | | | | mm | mm | mm | mm | kN-m | kN-m | kN-m | kg | kg/m |
| HGH 15CA | 28 | 4.3 | 9.5 | 34 | 26 | 4 | 26 | 39.4 | 61.4 | 5.3 | M4x5 | 6 | 8.5 | 9.5 | 15 | 15 | 7.5 | 5.3 | 4.5 | 60 | 20 | M4x16 | 11.38 | 25.31 | 0.17 | 0.15 | 0.15 | 0.18 | 1.45 |
| HGH 20CA | 30 | 4.6 | 12 | 44 | 32 | 6 | 36 | 50.5 | 77.5 | 12 | M5x6 | 8 | 6 | 7 | 20 | 17.5 | 9.5 | 8.5 | 6 | 60 | 20 | M5x16 | 17.75 | 37.84 | 0.38 | 0.27 | 0.27 | 0.30 | 2.21 |
| HGH 20HA | | | | | | | | | | | | | | | | | | | | | | | 21.18 | 48.84 | 0.48 | 0.47 | 0.47 | 0.39 | |
| HGH 25CA | 40 | 5.5 | 12.5 | 48 | 35 | 6.5 | 35 | 58 | 84 | 12 | M6x8 | 8 | 10 | 13 | 23 | 22 | 11 | 9 | 7 | 60 | 20 | M6x20 | 26.48 | 56.19 | 0.64 | 0.51 | 0.51 | 0.51 | 3.21 |
| HGH 25HA | | | | | | | | | | | | | | | | | | | | | | | 32.75 | 76.00 | 0.87 | 0.88 | 0.88 | 0.69 | |
| HGH 30CA | 45 | 6 | 16 | 60 | 40 | 10 | 40 | 70 | 97.4 | 12 | M8x10 | 8.5 | 9.5 | 13.8 | 28 | 26 | 14 | 12 | 9 | 80 | 20 | M8x25 | 38.74 | 83.06 | 1.06 | 0.85 | 0.85 | 0.88 | 4.47 |
| HGH 30HA | | | | | | | | | | | | | | | | | | | | | | | 47.27 | 110.13 | 1.40 | 1.47 | 1.47 | 1.16 | |
| HGH 35CA | 55 | 7.5 | 18 | 70 | 50 | 10 | 50 | 80 | 112.4 | 12 | M8x12 | 10.2 | 16 | 19.6 | 34 | 29 | 14 | 12 | 9 | 80 | 20 | M8x25 | 49.52 | 102.87 | 1.73 | 1.20 | 1.20 | 1.45 | 6.30 |
| HGH 35HA | | | | | | | | | | | | | | | | | | | | | | | 60.21 | 136.31 | 2.29 | 2.08 | 2.08 | 1.92 | |
| HGH 45CA | 70 | 9.5 | 20.5 | 86 | 60 | 13 | 60 | 97 | 139.4 | 12.9 | M10x17 | 16 | 18.5 | 30.5 | 45 | 38 | 20 | 17 | 14 | 105 | 22.5 | M12x35 | 77.57 | 155.93 | 3.01 | 2.35 | 2.35 | 2.73 | 10.41 |
| HGH 45HA | | | | | | | | | | | | | | | | | | | | | | | 94.54 | 207.12 | 4.00 | 4.07 | 4.07 | 3.61 | |
| HGH 55CA | 80 | 13 | 23.5 | 100 | 75 | 12.5 | 75 | 117.7 | 166.7 | 12.9 | M12x18 | 17.5 | 22 | 29 | 53 | 44 | 23 | 20 | 16 | 120 | 30 | M14x45 | 114.44 | 227.81 | 5.66 | 4.06 | 4.06 | 4.17 | 15.08 |
| HGH 55HA | | | | | | | | | | | | | | | | | | | | | | | 139.35 | 301.26 | 7.49 | 7.01 | 7.01 | 5.49 | |
| HGH 65CA | 90 | 15 | 31.5 | 126 | 76 | 25 | 70 | 144.2 | 200.2 | 12.9 | M16x20 | 25 | 15 | 15 | 63 | 53 | 26 | 22 | 18 | 150 | 35 | M16x50 | 163.63 | 324.71 | 10.02 | 6.44 | 6.44 | 7.00 | 21.18 |
| HGH 65HA | | | | | | | | | | | | | | | | | | | | | | | 208.36 | 457.15 | 14.15 | 11.12 | 11.12 | 9.82 | |

Note : 1 kgf = 9.81 N