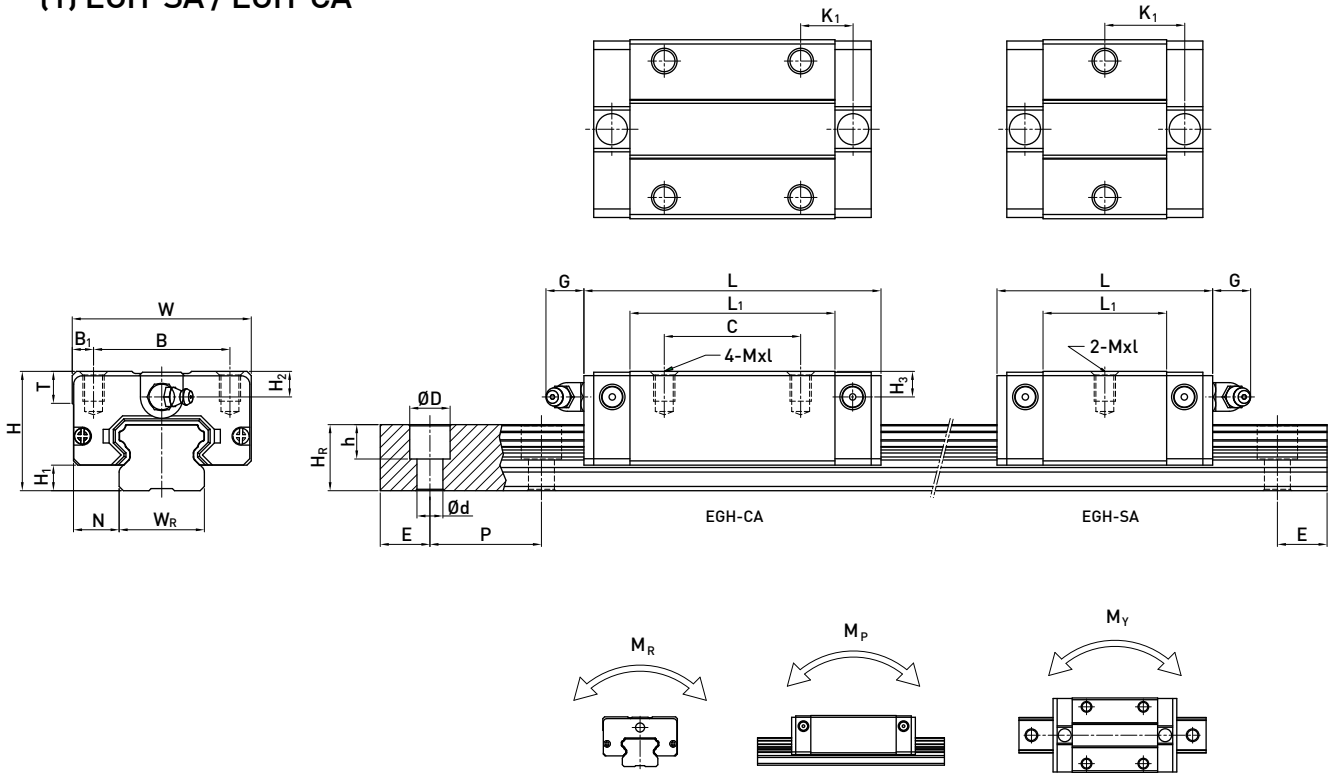


# Linear Guideways

## EG Series

### 2-2-12 Dimensions for HIWIN EG Series

#### (1) EGH-SA / EGH-CA



Model No.	Dimensions of Assembly (mm)		Dimensions of Block (mm)													Mounting Bolt for Rail (mm)	Basic Dynamic Load Rating C (kN)	Basic Static Load Rating C <sub>0</sub> (kN)	Static Rated Moment			Weight								
	H	H <sub>1</sub>	N	W	B	B <sub>1</sub>	C	L <sub>1</sub>	L	K <sub>1</sub>	G	MxL	T	H <sub>2</sub>	H <sub>3</sub>				W <sub>R</sub>	H <sub>R</sub>	D	h	d	P	E	M <sub>R</sub>	M <sub>P</sub>	M <sub>Y</sub>	Block kg	Rail kg/m
EGH15SA	24	4.5	9.5	34	26	4	23.1	40.1	14.8	5.7	M4x6	6	5.5	6	15	12.5	6	4.5	3.5	60	20	M3x16	5.35	9.40	0.08	0.04	0.04	0.09	1.25	
EGH15CA							26	39.8	56.8	10.15												M3x16	7.83	16.19	0.13	0.10	0.10	0.15		
EGH20SA	28	6	11	42	32	5	29	50	18.75	12	M5x7	7.5	6	6	20	15.5	9.5	8.5	6	60	20	M5x16	7.23	12.74	0.13	0.06	0.06	0.15	2.08	
EGH20CA							32	48.1	69.1	12.3												M5x16	10.31	21.13	0.22	0.16	0.16	0.24		
EGH25SA	33	7	12.5	48	35	6.5	35.5	59.1	21.9	12	M6x9	8	8	8	23	18	11	9	7	60	20	M6x20	11.40	19.50	0.23	0.12	0.12	0.25	2.67	
EGH25CA							35	59	82.6	16.15												M6x20	16.27	32.40	0.38	0.32	0.32	0.41		
EGH30SA	42	10	16	60	40	10	41.5	69.5	26.75	12	M8x12	9	8	9	28	23	11	9	7	80	20	M6x25	16.42	28.10	0.40	0.21	0.21	0.45	4.35	
EGH30CA							40	70.1	98.1	21.05												M6x25	23.70	47.46	0.68	0.55	0.55	0.76		

Note : 1 kgf = 9.81 N