

## 2-7 SE Type - Metallic End Cap Linear Guideway

### 2-7-1 General Information

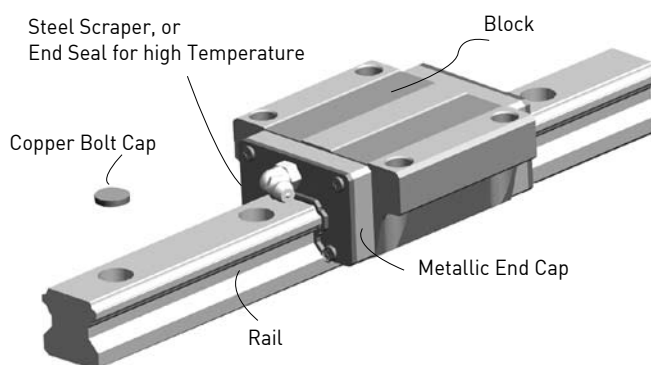
#### (1) Features

- Use of Metallic parts; (if end seal is needed, the high-temperature rubber in end seal is available).
- Excellent temperature resistance; service temperature under 150 °C.

#### (2) Applications

- Heat treatment equipment,
- Applications using vacuums (no vapor dispersion from plastic or rubber)
- Welding equipment.

### 2-7-2 Structure



### 2-7-3 Dimensions of Copper Bolt Cap

Table 2.71

Item	Bolt Size	Cap Diameter (mm)	Cap Thickness (mm)
C3	M3	6.15	1.2
C4	M4	7.65	1.2
C5	M5	9.65	2.8
C6	M6	11.15	2.8
C8	M8	14.15	3.5
C12	M12	20.15	4
C12	M14	23.15	4